



NU-FLAME



ICONA HE



HIGH EFFICIENCY
OPEN FRONTED GAS FIRES



Designed, manufactured and tested in the UK

For over 20 years Nu-Flame has brought together the very best of **British Innovation, Design and Engineering** to give our customers a range of quality gas fires with the authentic look of a traditional flame.

Nu-Flame has invested heavily in our own research and development facility at our state of the art factory in Surrey, where all our fires are made. This has enabled us to produce a range of fires with **industry leading efficiencies**.

Nu-Flame's HE range of open fronted fires has a combination of great flame pattern, deep glow and **independently verified efficiencies that are second to none**, resulting in lower running costs.

Every Nu-Flame fire is built to ISO 9001 and CE quality standards.

Nu-Flame fires come with an option of a ... **3 or 5** Year Warranty

... ask your stockist for details.

For a one off payment, the warranty on a Nu-Flame fire can be extended to 3 or 5 years. We believe this represents much better value than fires that have 5 year warranties with terms and conditions that are likely to cost you several times this one off payment.

Nu-Flame would like to thank the following companies for loan of their furniture used in this brochure:

Glasswells (World of Furniture) 01473 622422 www.glasswells.co.uk

Multyork 0800 040 7171 www.multyork.co.uk

HIGH EFFICIENCY OPEN FRONTED GAS FIRES

The Icona 600HE and Icona 800HE are the first open fronted high efficiency landscape fires on the market.

They are designed to be installed in a fireplace or used as a Hole in the Wall fire. When fitted as a Hole in the Wall they can have either the minimalist frameless look, or be fitted with a choice of stylish frame and colour options.

Due to its unique design a television can be fitted above the Icona HE fire, subject to a space of 200mm or more being left between the top of the fireplace opening and the bottom of the television.

The efficiencies of the Icona HE have all been independently approved and verified by BSI with the Icona 600HE natural gas coal model being 67% net and the Icona 800HE natural gas log and driftwood effect models being 62.4% net. These are astonishing figures for open fronted landscape fires.

Patents pending



Nu-Flame is an award winning company

Front cover photo: The Icona 800HE with Piano Black Deluxe frame, Driftwood fuel effect and Weathered Board rear lining

Back cover photo: The Icona 600HE with Brushed Stainless Steel Harmony frame, Coal fuel effect and Brick rear lining

ICONA 600HE

67%
EFFICIENCY

4.4kW Output

Figures are for Natural Gas, Coal effect model - for other models see chart on page 11

**A CLASS 2
EFFICIENCY
HEATING
APPLIANCE.
APPROVED
& VERIFIED
BY **



The Icona 600HE with a two-tone Lacquered Brushed Stainless and Gun Metal Concept frame, Coal fuel effect and Brick rear lining



ICONA 600HE

The Icona 600HE is a highly efficient and stylish open fronted fire that will enhance any room. It is very versatile and as well as being used as a Hole in the Wall feature it can be fitted into a fireplace. With a choice of frames, formats, and a selection of stunning hand finished fuel effects and rear linings, you can tailor the Icona 600HE to suit your individual style.

The Icona 600HE with Marfil Deluxe frame, Log fuel effect and Slate rear lining

ICONA 600HE

The Icona 600HE is available with a choice of frames, and the full choice is shown on pages 10 and 11. However, it can also be fitted as a minimalist frameless look. The larger Icona 800HE model is shown in a frameless format on page 8.



The Icona 600HE shown in a Noir Grande frame with Driftwood fuel effect and Slate rear lining



ICONA 800HE

62.4%
EFFICIENCY

4.27kW Output

Figures are for Natural Gas, Log and Driftwood models - for other models see chart on page 11

**A CLASS 2
EFFICIENCY
HEATING
APPLIANCE.
APPROVED
& VERIFIED
BY **BSI****

The Icona 800HE with two-tone Laquered Brushed Stainless and Violet Concept frame, Log fuel effect and Slate rear lining

ICONA 800HE

The combination of cutting edge design and innovation, unique to Nu-Flame, has enabled us to achieve efficiencies and heat outputs across the Icona HE range that were previously unattainable with an open fronted landscape fire.



The Icona 800HE with a Phosphorous Grande frame, Log fuel effect and Slate rear lining



ICONA 800HE

The Icona 800HE Frameless can be equally at home in a traditional room or an ultra modern minimalistic setting. Installed, as shown, straight into a suitable chimney breast or as pictured on page 9, in a contemporary fireplace.

The Icona 600HE is also available as a frameless fire.

The Icona 800HE fitted as a minimalist frameless look, Pebble fuel effect and Black rear lining

ICONA 800HE

The Icona 800HE is a highly efficient and stylish open fronted fire that will enhance any room. It is very versatile and as well as being used as a Hole in the Wall feature it can be fitted into a fireplace. With a choice of frames and formats, together with a selection of stunning hand finished fuel effects and rear linings, you can tailor the Icona 800HE to suit your individual style.



The Icona 800HE in a contemporary stone fireplace with coal fuel effect and Brick rear lining

Frame Options Please also refer to page 8 for "Frameless" option

Harmony - 50mm x 50mm



Available in Lacquered Brushed Stainless, Violet, Noir, Piano Black, White, Marfil Stone

Deluxe - 100mm x 100mm



Available in Lacquered Brushed Stainless, Violet, Noir, Piano Black, White, Marfil Stone

Grande - 178mm top & bottom with 204mm sides



Available in Violet, Phosphorus, Noir, White, Marfil Stone

Concept - 50mm top & bottom with 100mm sides



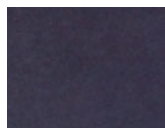
Available in two-tone, Lacquered Brushed Stainless with either Gun Metal, Violet, Phosphorus or Noir

Please note – it is possible to remove one frame and fit another as they are held on magnetically. However, it is not possible to change from a Frameless to a Framed fire or vice-versa, as they are installed in different ways.

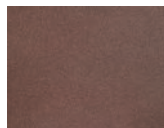
Frame Colour Options



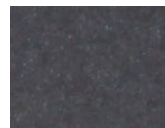
Lacquered Brushed Stainless



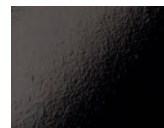
Violet



Phosphorus



Noir



Piano Black



White



Marfil

We have made every effort to show the finishes as accurately as possible. We cannot fully reflect the depth and quality of the finishes in print, nor can we guarantee exact colour matches. Your Nu-Flame stockist can show you swatches of the actual finishes used.

Fuel Bed Options



Log



Driftwood



Pebble



Coal

Fully Sequential Remote Control

Powered by 4 standard AA batteries. As well as on/off and variable flame height control, our fully sequential Thermatronic system turns the pilot on and off when extinguishing the fire.

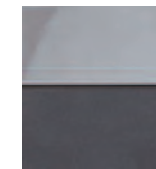
It is compatible with, and can control, the Exhausto EFC21 remote control chimney fan system.



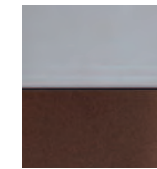
Two-Tone Colour Options (Concept Frame Only)



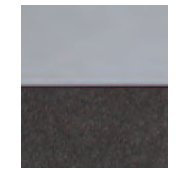
Violet & Lacquered Brushed Stainless



Gun Metal & Lacquered Brushed Stainless



Phosphorus & Lacquered Brushed Stainless



Noir & Lacquered Brushed Stainless



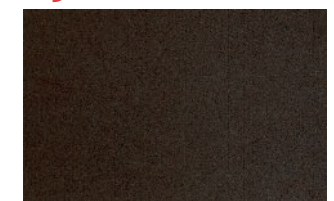
Brick



Weathered Board

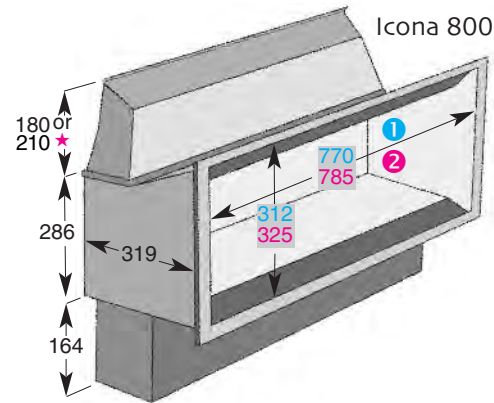
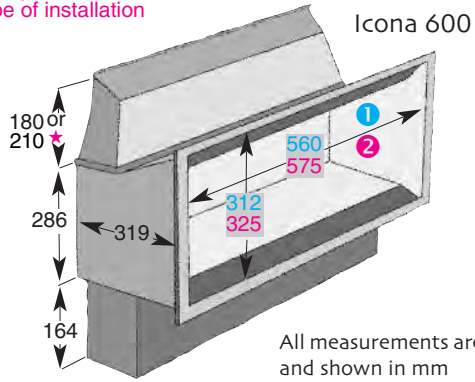


Slate

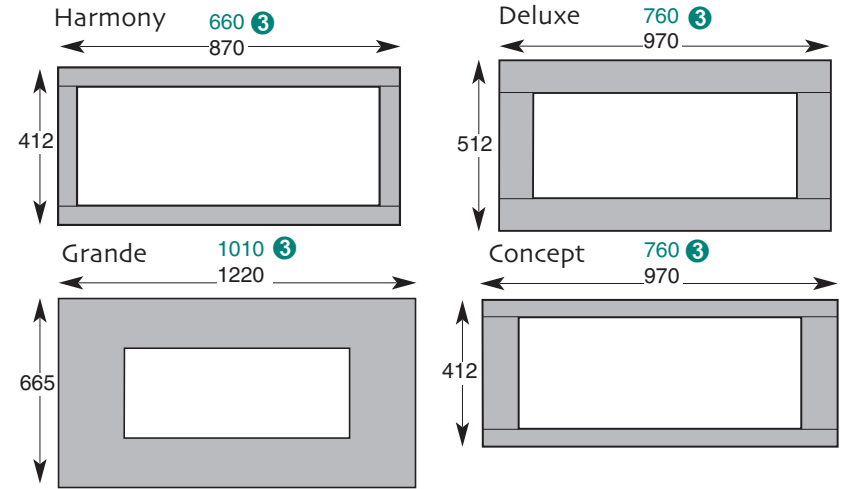


Black

*Dependent on type of installation



All measurements are nominal and shown in mm
Drawings are not to scale



Technical Information

MODEL	600N	600L	800N	800L
GAS TYPE	Natural Gas	LPG	Natural Gas	LPG
CONTROL TYPE	← Full Remote Control →			
VENTILATION REQUIRED	No*	No*	No*	No*
FLUE TYPE	← Class 1 & 2 flues & 5" lined flue →			
FUEL BED OPTIONS	← Log, Driftwood, Pebble, Coal →			
CHIMNEY MODELS:				
VERIFIED EFFICIENCY CLASS	← Class 2 Efficiency →			
EFFICIENCY NET:				
Log, Driftwood	64.6%	63.1%	62.4%	61.8%
Pebble	63.8%	62.3%	61.0%	60.4%
Coal	67.0%	65.4%	59.0%	58.4%
MAX INPUT NET	6.58kW	5.93kW	6.85kW	6.6kW
MIN INPUT NET	2.25kW	2.30kW	2.25kW	2.4kW
MAX OUTPUT				
Log, Driftwood	4.25kW	3.75kW	4.27kW	4.08kW
Pebble	4.20kW	3.70kW	4.2kW	4.0kW
Coal	4.40kW	3.88kW	4.04kW	3.85kW
MIN OUTPUT				
Log, Driftwood	1.40kW	1.37kW	1.3kW	1.4kW
Pebble	1.38kW	1.35kW	1.25kW	1.35kW
Coal	1.45kW	1.42kW	1.2kW	1.25kW

① The internal openings for models with a frame are 560mm wide x 312mm high for the Icona 600 and 770mm wide x 312mm high for the Icona 800

② The internal openings for Frameless models are 575mm wide x 325mm high for the Icona 600 and 785mm wide x 325mm high for the Icona 800

③ Icona 600 width

Your installer will need to allow space underneath the Icona chamber to accommodate the burner, and above the chamber in the flue to accommodate either hood or canopy (hood shown in drawing) dependent on the type of installation. Neither of these will be visible when the fire is installed.

In line with our policy of continual improvement, we reserve the right to modify specifications. We have taken every care in the preparation of the contents of this brochure, but we accept no liability for any loss or damage arising directly or indirectly from the use of this brochure.

All figures quoted have been verified by BSI and can be used in the UK Government's Standard Assessment Procedure (SAP) for energy rating of dwellings.

* Ventilation not normally required in the UK subject to a satisfactory flue test. Please note that ventilation requirements shown are for the UK and may vary from country to country. In all cases, local installation requirements must be followed.

Patents pending



Nu-Flame Ltd

Unit 4, Kimpton Trade & Business Centre
Minden Road, Sutton, Surrey, SM3 9PF

T : 020 8254 6802

F : 020 8641 9992

Email : sales@nu-flame.co.uk

Web : www.nu-flame.co.uk



BRITISH MADE

